

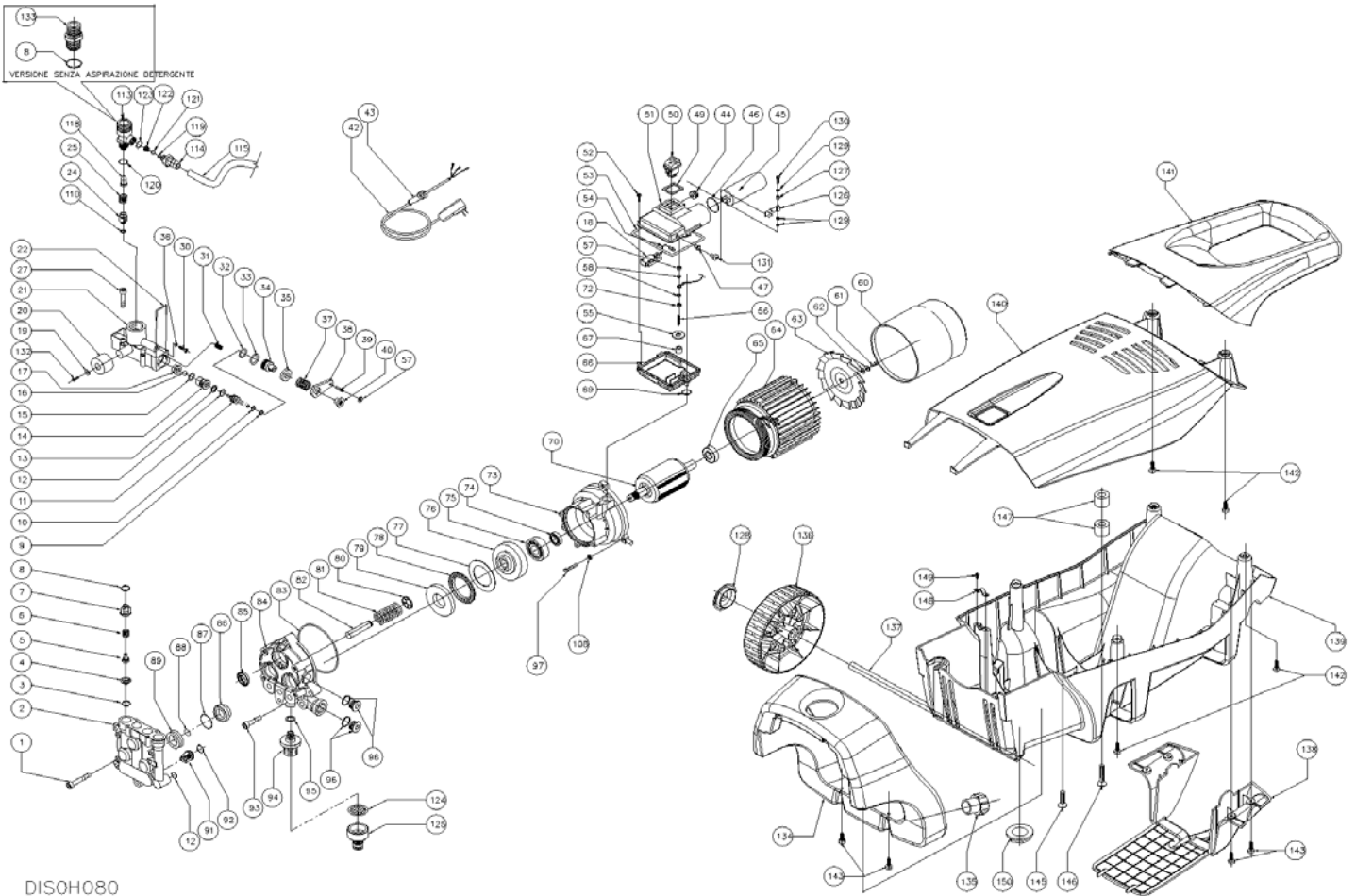


Spare Parts List

HOME DEPOT U.S.A., INC.

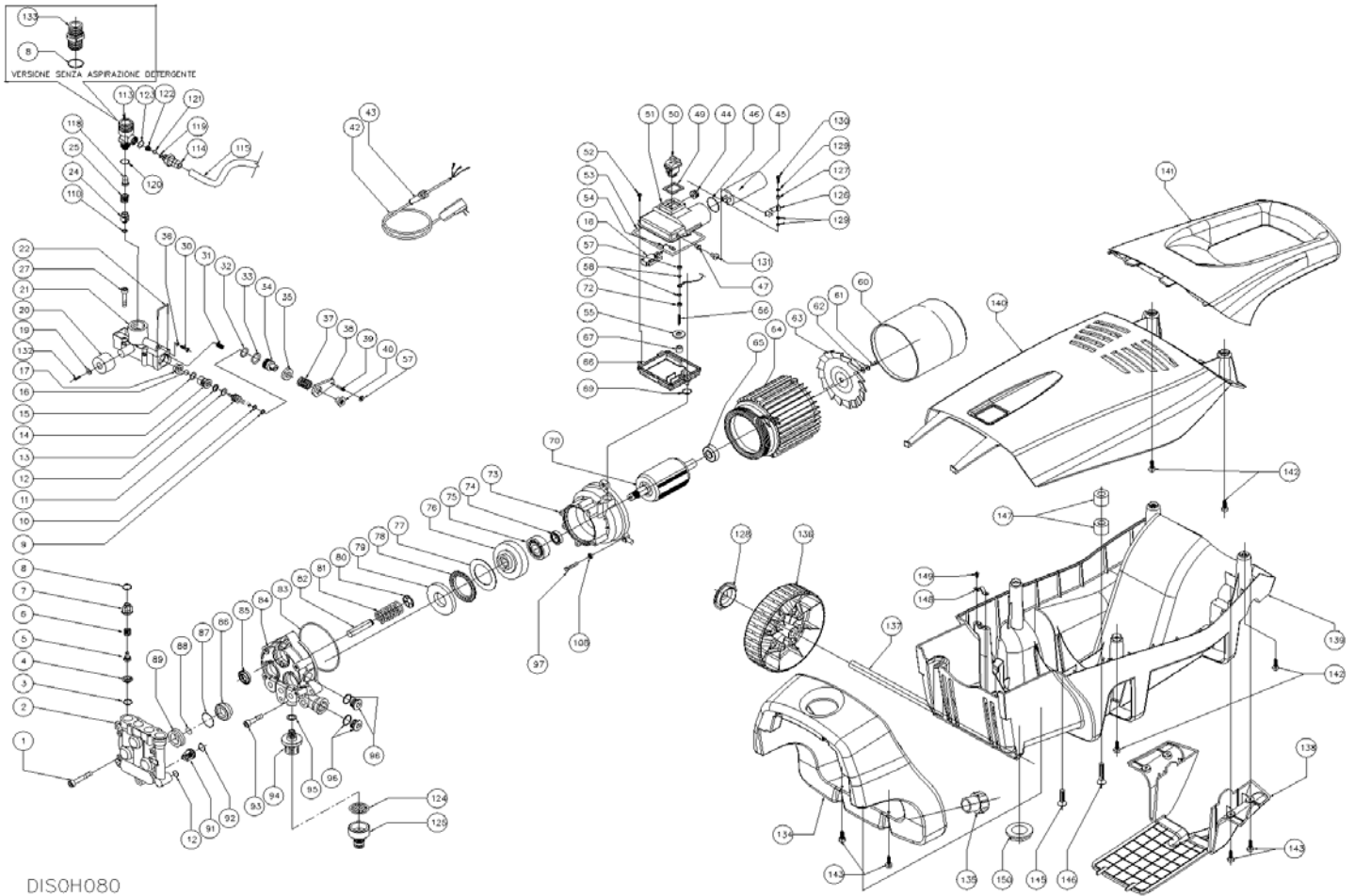
Ref: IDAF90600

Model: IDROP H121 HD1750 USA DS M120/60 3-01HOM



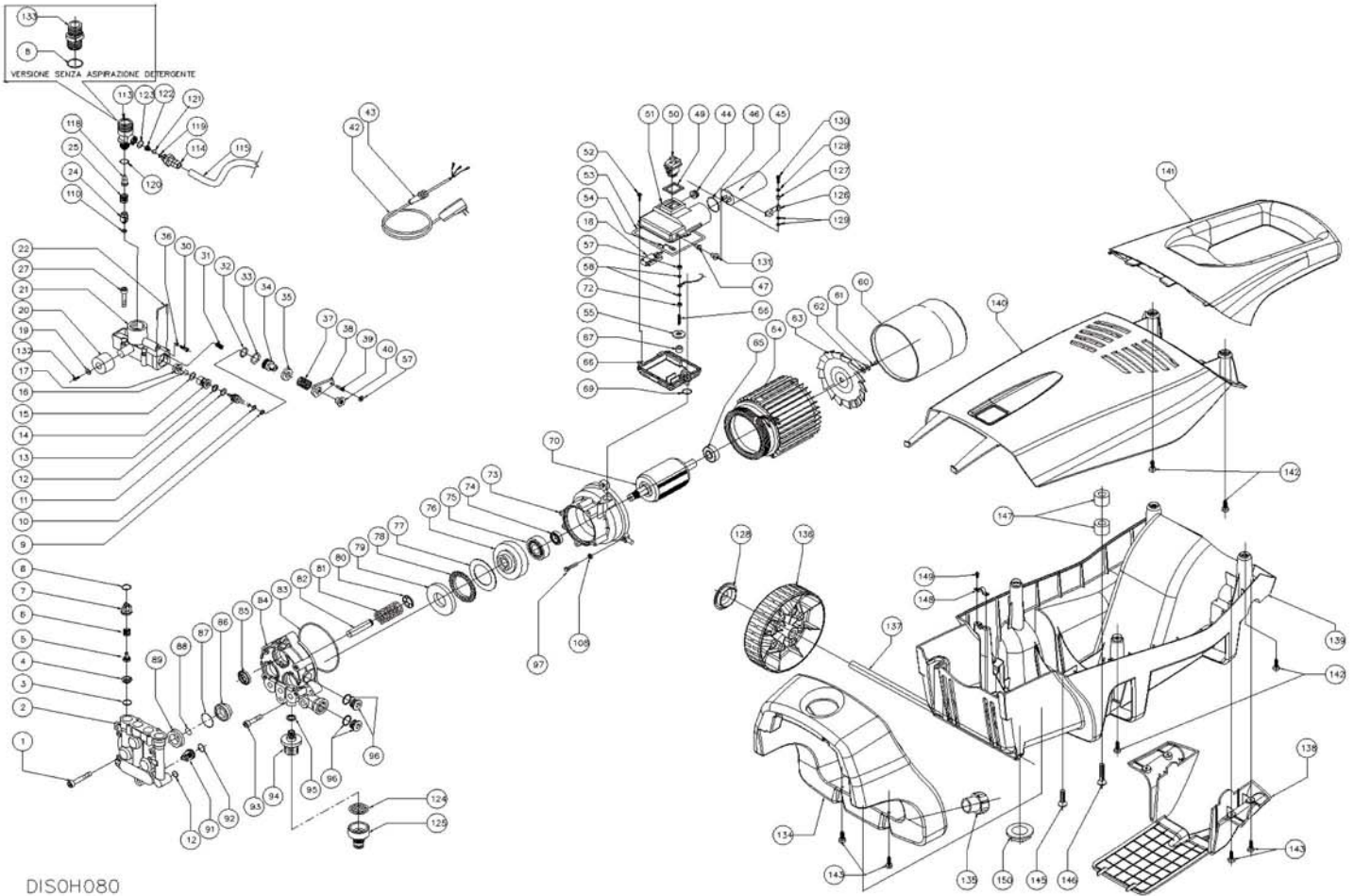
DISCH080

Ref. K	Part N.	Customer Part N.	Description	Qty	Validity:		Price
					From	To	
0001	VTVT63028		SCREW TCEI M 6X35	5,00	05/2001		--
0002	MFVR40203		PUMP HEAD HOBBY 90 AL.	1,00			--
0003	GUGO21841		O-RING D. 12.42 X 1.78 NBR 90SH	3,00			--
0004	PVVR40191		VALVE SEAT "TH"	1,00			--
0005	PVVR40190		CAP A.700 INX	1,00	05/1997		--
0006	MLML40189		SPRING D. 5.5 "TH"	1,00			--
0007	PVVR40188		VALVE GUIDE "TH"	1,00			--
0008	GUGO40193		O-RING D. 15 X 2 NBR 70SH	4,00			--
0009	GUVR40170		ANTI-EXTR.RING D. 6 X 9	1,00			--
0010	GUGO12489		O-RING D. 6.07 X 1.78 NBR 70SH	1,00			--
0011	PVVR81242		CONTROL PISTON BY-PASS H90 OT S2	1,00			--
0012	GUGO63403		O-RING D. 8.73 X 1.78 NBR 70SH	2,00			--
0013	GUVR63570		ANTI-EXTR.RING D. 9 X12 X1.5 OR108	1,00			--
0014	PVVR81275		VALVE SEAT D. 5.6 B POL.	1,00			--
0015	GUGO03496		O-RING D. 9.25 X 1.78 NBR 70SH	1,00			--
0016	SFVR53318		BALL D. 7 AISI 420	1,00			--
0017	PVVR40167		CAP B12	1,00			--
0018	MECI80639		MICROSWITCH 20A F.S/L	1,00	07/2000		--
0019	VTRS63195		WASHER D. 6.4X16.3X1 UNI 1739/64	1,00	12/2001		--
0020	MPVR60544		FOOT H130 (D. 6)	1,00	12/2001		--
0021	MFVR83838		MANIFOLD AQ300 C/ASP NEW C/VITE	1,00			--
0022	LAFN82147		PLUG ARR.CART BY-PASS BUR S2	1,00			--
0024	VVSF40182		VALVE H90 PLS	1,00			--
0025	MLML59254		SPRING D. 9.2 X10X0.8 AISI 302	1,00			--
0027	VTVT63025		SCREW TCEI M 5X30 UNI 5931 12.9	4,00	07/2002		--
0030	RCDS83749		SCREW CHIUSURA BY PASS M6	1,00			--
0031	MLML80000		SPRING D. 5.1 X19 X0.4 E/ST	1,00			--
0032	GUGO11652		O-RING D. 12.42 X 1.78 NBR 70SH	1,00			--
0033	GUGO09720		O-RING D. 14 X 1.78 NBR 70SH	1,00			--
0034	PVVR40164		VALVE BODY BY-PASS B	1,00			--
0035	LAFN58903		SPACER D.12 BY-PASS	1,00			--
0036	GUGO01062		O-RING D. 3.69 X 1.78 NBR 70SH	1,00			--
0037	MLML67104		SPRING 130 BAR D. 3.4	1,00			--
0038	LAFN58939		BLADE H 97	1,00			--
0039	VTVT63055		SCREW M 5X 16 EI-ST UNI 5923	1,00	07/2000		--
0040	VTDD40171		NUT E.START	1,00			--
0042	MECB67395		PLUG 3X16 AWG H110	1,00	07/2000		--
0043	MPVR60523		FAIR-LEAD H97 X CAVI H07	1,00	07/2000		--
0044	MEVR67458		FAIR-LEAD GOMMA DK9/14/18-3	1,00	07/2000		--

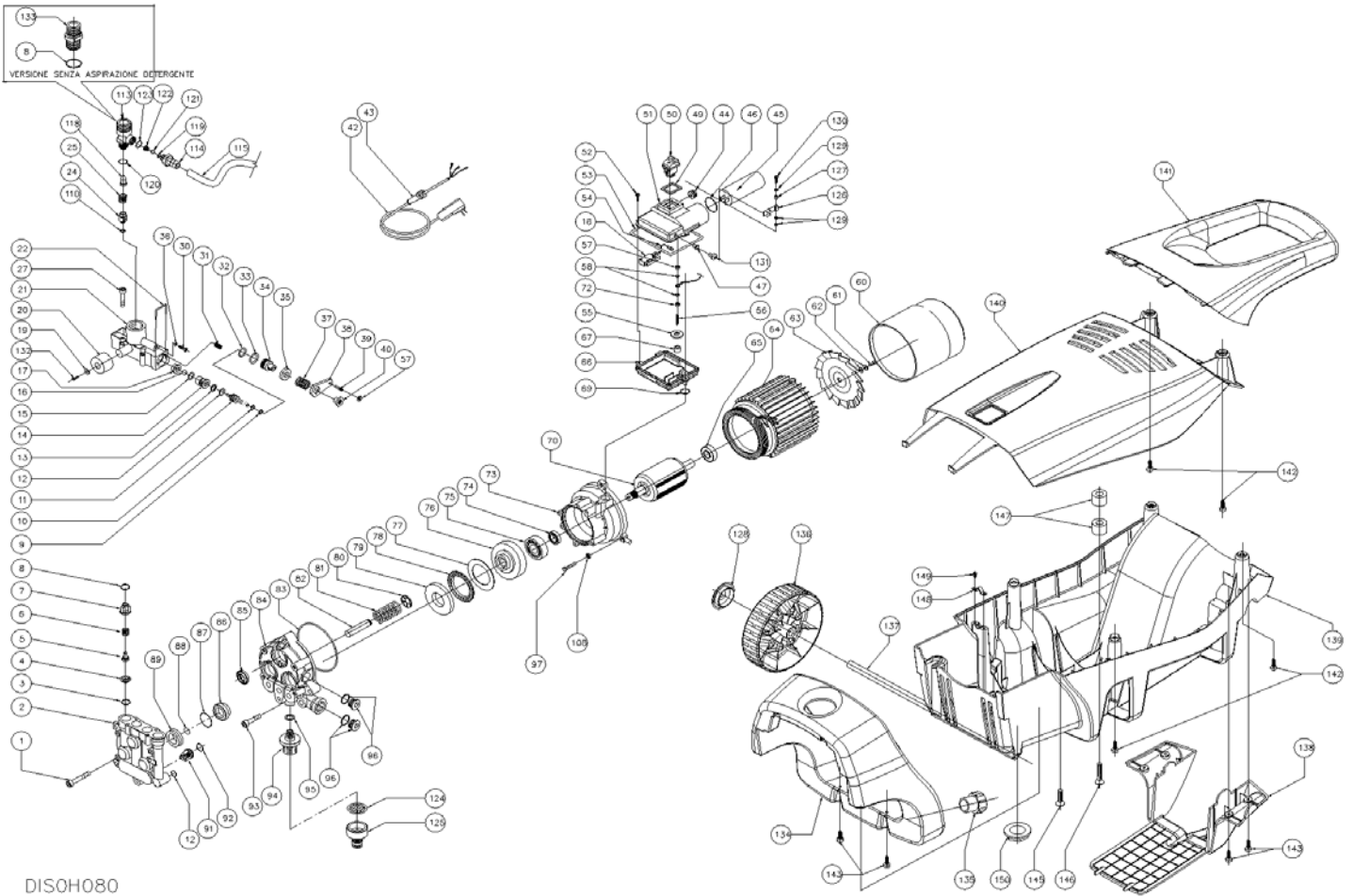


DISOH080

Ref. K	Part N.	Customer Part N.	Description	Qty	Validity: From	To	Price
0045	MECO61695		CAPACITOR 80 MF 250V+FAST.D.45X12	1,00	07/2000		--
0046	GUGO25526		O-RING D. 37.82 X 1.78 NBR 70SH	1,00	07/2000		--
0047	MPVR41620		PROTECTOR S.T-STOP FP	1,00	07/2000		--
0049	GUGO40147		GASKET SLX FP	1,00	07/2000	06/2003	--
0050	MECI80243		SWITCH M1630FV 12.5 A T1	1,00	07/2000		--
0051	MPVR81092		BOX COVER H120 /H130 S2 MD.	1,00	07/2000		--
0052	VTVT01516		SCREW TCB TC 3.9X16	2,00	07/2001		--
0053	GUVR82555		JOINT D. 4	0,40	09/2001		--
0054	MECB64203		CABLE ASS. INTERR./MICRO	1,00	07/2000		--
0055	VTRS63242		WASHER D. 6 X24 ZC	1,00	07/2000		--
0056	VTVT63061		SCREW M 5X 35 EI-ST UNI 5927	1,00	07/2000		--
0057	VTDD01678		NUT M 5 UNI 5588	2,00	07/2000		--
0058	VTRS63309		WASHER D. 5 UNI 8842	2,00	07/2000		--
0060	MPVR84088		CONVEYOR A400/H121	1,00			--
0061	VTVT63023		SCREW TCEI M 5X12 ZC	1,00			--
0062	VTRS63276		WASHER D. 5 UNI 8836 EL.	2,00	03/1999		--
0063	VEVR40161		IMPELLER A.700 D.140	1,00			--
0064	MOST84086		EL.MOT. STATOR 125X65H80 120/60CF M6 2V	1,00			--
0065	CUVR53295		BALL BEARING 6003 2Z ZKL	1,00	09/1999		--
0066	MPVR60093		BOX H130 S2 HOBBY	1,00	07/2000		--
0067	LAFN62762		SPACER D. 11 H. 7MM	1,00	07/2000		--
0069	GUGO63500		O-RING D. 19 X 2 NBR 70SH	1,00	07/2000		--
0070	MORT80458		EL.MOT. ROTOR 2,4KW M 2P 60HZ 65X20H80	1,00	03/2000		--
0072	VTDD63175		NUT M 5 FL.	1,00	06/2001		--
0073	MFVR82389		SHIELD H130 S2 S/SP.	1,00	06/2001		--
0074	PVVR63537		OIL SEAL 17X 28X 7-NBR HOBBY 90	1,00			--
0075	CUVR53290		BEARING 6303 17X47X14	1,00	09/1999		--
0076	MFVR81521		CAP INCL. 7° H120 USA	1,00			--
0077	CUVR40153		FLANGE D. 40X60-1 AS4060	1,00			--
0078	CUVR40152		ROLLER BEARING AXK 4060	1,00			--
0079	CUVR40151		FLANGE D.60 H.90	1,00			--
0080	PVVR59101		RETAINER RING SW D.10,7/29,9	3,00	06/2002		--
0081	MLML40200		SPRING D. 25.6 H.90	3,00	06/2002		--
0082	PIVR58598		PISTON D.12X62 SW	3,00	06/2002		--
0083	GUGO40199		O-RING D. 80.60 X 2.62 NBR 70SH	1,00	06/2002		--
0084	MFVR84103		CRANKCASE 12 CT H3 S/SP PPF3/8 IMP.	1,00	06/2002		--
0085	PVVR63545		OIL SEAL 12X 22X 4/6 -NBR70	3,00	06/2002		--
0086	PVVR83270		PACKING RETAIN.D. 12X 28 H13,7 S2	3,00	06/2002		--
0087	GUGO19290		O-RING D. 23.52 X 1.78 NBR 70SH	3,00	06/2002		--



Ref. K	Part N.	Customer Part N.	Description	Qty	Validity:		Price
					From	To	
0088	GUGO19194		O-RING D. 11.11 X 1.78 NBR 70SH	3,00	06/2002		--
0089	PVVR63543		PACKING D. 12 X22 X5	3,00	06/2002		--
0091	VVAM41610		VALVE UNIT F 140/150 IP	6,00			--
0092	GUGO40192		O-RING D. 12 X 2 NBR 90SH	3,00			--
0093	VTVT01116		SCREW TCEI 6X30 UNI5931	3,00	05/2001		--
0094	MPVR84106		INTAKE CONNECT.H121 3/8 - 3/4 DELRIN	1,00	06/2002		--
0095	GUGO41608		GASKET D. 16.6-22	1,00	06/2002		--
0096	RCVR67288		OIL CAP 3/8+G TCNB-38	2,00	06/2002		--
0097	VTVT62956		SCREW TCEI M 6X22 AUT.F.	3,00	10/1999		--
0108	VTRS67343		WASHER D. 6 X12 X1.2 CONTACT	3,00			--
0110	GUGO40181		O-RING D. 5 X 2 NBR 90SH	1,00			--
0113	MFVR81524		CONNECTOR MAND. C/ASP.DET. H120	1,00			--
0114	RCDS81553		CONNECTOR OT ASP.DETERG.- H110	1,00			--
0115	TBBP62469		L.P. HOSE D. 6- 9 L=1000 CROST.ECON	1,00	10/2002		--
0118	UGEI40178		NOZZLE D. 1.8 HOBBY	1,00			--
0119	GUGO01062		O-RING D. 3.69 X 1.78 NBR 70SH	1,00			--
0120	GUGO01047		O-RING D. 11.91 X 2.62 NBR 70SH	1,00			--
0121	SFVR40173		BALL D. 3/16" AISI 420	1,00			--
0122	MLML40172		SPRING D. 3.5	1,00			--
0123	GUGO06988		O-RING D. 7.66 X 1.78 NBR 70SH	1,00			--
0124	GUVR63631		GASKET C/FILTRO 24X15X3,5	1,00	01/2002		--
0125	RCVR62752		SOCKET 3433 BK.	1,00	01/2002		--
0126	LAFN82461		TRIGGER MICRO TS	1,00	07/2001		--
0127	RCDS82462		BUSHING LEVA COMANDO MICRO	1,00	07/2001		--
0128	MPVR84004		BLACK HUB CAP D.145 H121	2,00			--
0129	VTRS63230		WASHER D. 4 X12	3,00	07/2001		--
0130	VTVT63001		SCREW TRU TC CR. 4 X30 ZINC.	1,00	07/2001		--
0131	MPVR60607		GUDGEON MICRO 5X11,5 PL	1,00	07/2001		--
0132	VTVT62955		SCREW M 6X 20 TCCR ZN TRIL.	1,00	12/2001		--
0134	MPVR83980		TANK H121	1,00	09/2002		--
0135	MPVR60060		TANK CAP DET.AQUA800	1,00	10/2002		--
0136	RTRT83979		WHEEL D.145-D.10 FP H121	2,00			--
0137	MPVR83978		WHEELS AXLE H121	1,00			--
0138	MPVR83977		TOOL HOLDER H121	1,00	07/2002		--
0139	MPVR83976		FRAME HOBBY H121	1,00			--
0140	MPVR91380		RED COVER w/ Silkscreen	1,00			--
	MPVR90560		COVER w/ Silkscreen & Handle Assy.				--
0141	MPVR83974		HANDLE H121	1,00			--
0142	VTVT80745		SCREW TCB-TC 5 X25	6,00	09/2002		--
0143	VTVT82798		SCREW ATF TFU TORX 4 X20 HILO	6,00	07/2002		--



Ref. K	Part N.	Customer Part N.	Description	Qty	Validity:		Price
					From	To	
0145	VTVT63133		SCREW TSEI M 8X25 BR UNI5933	1,00			--
0146	VTVT84109		SCREW M 8X 50 TSPEI UNI5933	1,00			--
0147	MECF60282		RUBBER D. 30 L=20.5 70SH A.VB.	2,00			--
0148	MPVR60495		CLAMP HOBBY	1,00			--
0149	VTVT62978		SCREW TCB TC 4,8X16 ZC	2,00			--
0150	MEVR82513		LOCKNUT 3/4 NYL	1,00			--